



ANALOG PRODUCTS

MC33397 FACT SHEET

POWER ICs
LOW-SIDE SWITCH

APPLICATIONS

- Farm Equipment
- Industrial Equipment
- Marine Systems
- Robotics
- Automotive Controls

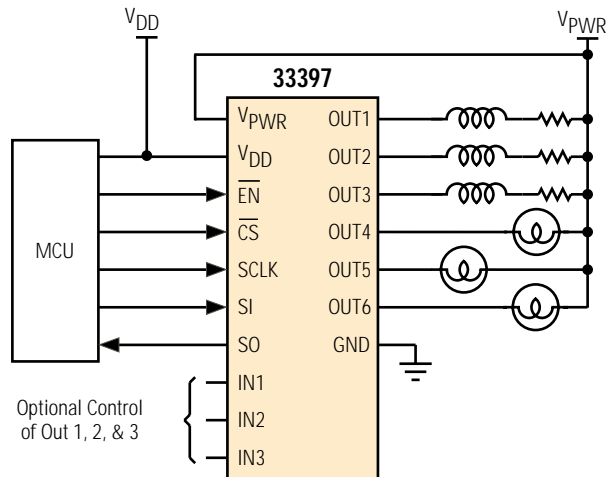
33397 CONFIGURABLE SMART OUTPUT SWITCH (0.7 Ω R_{DS(on)}) WITH SPI AND PARALLEL INPUT CONTROL

The 33397 is a versatile dual mode low-side switch that can be output-configured as two 0.35 Ω open drain outputs in the dual mode or as six 0.7 Ω open drain outputs in the hex mode.

Each open drain output has internal current limit and short circuit protection. Current limit is typically 1.5 A with 2.0 A maximum. The outputs can be input-controlled via parallel inputs or the Serial Peripheral Interface (SPI). Three inputs provide parallel control while a serial 8-bit word provides SPI control of the outputs. Output fault detection capability includes "OFF-State" open loads and "ON-State" shorts-to-battery conditions. Individual output faults are latched into the fault register and serially shifted out during serial communication with the 33397. The 33397 has both over voltage and under voltage shutdown.

A low quiescent current sleep state feature can be enabled (or disabled) on command via the SPI port.

Simplified Application Diagram



CUSTOMER BENEFITS


- Reduced part count, simplified circuitry, and minimal boardspace
- Input/output application versatility
- Bimodal operation (dual or hex mode): outputs can be operated in two parallel pairs of three for enhanced R_{DS(on)} or as six independent outputs
- Outputs are internally protected against transients and controlled by SPI and/or 3 parallel inputs
- Simplified system design (interfaces to a 5.0 V microprocessor)
- Capable of switching capacitive, incandescent, or inductive loads

Performance	Typical Values
Outputs	2 x 0.35 Ω or 6 x 0.7 Ω
R _{DS(on)} @ 25°C	0.7 Ω
Operating Voltage	9.0 – 26.5 V
Peak Current	1.0 A each output
Control	SPI
Operating Temp	-40°C ≤ T _A ≤ 125°C
Junction Operating Temp	-40°C ≤ T _J ≤ 150°C

FEATURES

- Outputs clamped when switching inductive loads
- Very low operational bias currents < 2.0 mA
- CMOS input logic compatible with 5.0 V logic levels
- Load dump robust (60 V transient at V_{PWR})
- Daisy-chain operation of multiple devices possible
- Switch outputs can be paralleled for higher currents
- Additional devices available for comparison in Analog Selector Guide SG1002/D

Protection	Detect	Limiting	Shut Down	Auto Retry	Status Reporting
Over Voltage	•		•		•
Under Voltage	•		•		
Over Current/SC	•	•	•	•	•
Over Temperature	•		•	•	
Open Load	•				•

Ordering Information	Package	Ship Method	Motorola Part Number
	24 SOICW	Rail T/R	**33397DW **33397DWR2
Data Sheet Order Number			MC33397/D
Contact Sales for Evaluation Kit Availability			
**Prefix Index: PC = Eng Samples; XC = In Qual; MC = Production			

QUESTIONS

- Do you need to reduce the complexity of switching multiple loads?
- Do you have very little PC board space available for the control of multiple loads?
- Do you need multiple high-efficiency switches to control both inductive and incandescent loads over a wide temperature range?
- Do you need a low-side switch that can switch two high current (≤ 3.0 A) loads or six moderate current (≤ 1.0 A) loads?
- Do you need parallel and SPI redundant control?
- Do you need to implement a fault tolerant system?
- Do you need a "smart" switch with internal protection features?
- Do you need status reporting features for diagnostics purposes or for implementing system logic?
- Do you need over voltage and under voltage shutdown to assure switching performance?

How to reach us:

USA/EUROPE/Locations Not Listed: Motorola Literature Distribution;
P.O. Box 5405, Denver, Colorado 80217
1-303-675-2140 or 1-800-441-2447

JAPAN: Motorola Japan Ltd.; SPS, Technical Information Center,
3-20-1, Minami-Azabu, Minato-ku, Tokyo 106-8573 Japan
81-3-3440-3569

ASIA/PACIFIC: Motorola Semiconductors H.K. Ltd.; Silicon Harbour Center,
2 Dai King Street, Tai Po Industrial Estate, Tai Po, N.T., Hong Kong
852-26668334

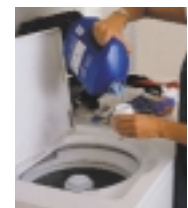
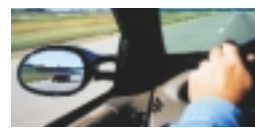
Technical Information Center: 1-800-521-6274

HOME PAGE: <http://www.motorola.com/semiconductors>



MOTOROLA and the Stylized M Logo are registered in the U.S. Patent & Trademark Office. All other product or service names are the property of their respective owners.
© Motorola, Inc. 2002

MC33397FS/D
Rev. 1



SUNSTAR 商斯达实业集团是集研发、生产、工程、销售、代理经销、技术咨询、信息服务等为一体的高科技企业，是专业高科技电子产品生产厂家，是具有 10 多年历史的专业电子元器件供应商，是中国最早和最大的仓储式连锁规模经营大型综合电子零部件代理分销商之一，是一家专业代理和分销世界各大品牌 IC 芯片和电子元器件的连锁经营综合性国际公司，专业经营进口、国产名厂名牌电子元件，型号、种类齐全。在香港、北京、深圳、上海、西安、成都等全国主要电子市场设有直属分公司和产品展示展销窗口门市部专卖店及代理分销商，已在全国范围内建成强大统一的供货和代理分销网络。我们专业代理经销、开发生产电子元器件、集成电路、传感器、微波光电元器件、工控机/DOC/DOM 电子盘、专用电路、单片机开发、MCU/DSP/ARM/FPGA 软件硬件、二极管、三极管、模块等，是您可靠的一站式现货配套供应商、方案提供商、部件功能模块开发配套商。商斯达实业公司拥有庞大的资料库，有数位毕业于著名高校——有中国电子工业摇篮之称的西安电子科技大学（西军电）并长期从事国防尖端科技研究的高级工程师为您精挑细选、量身订做各种高科技电子元器件，并解决各种技术问题。

更多产品请看本公司产品专用销售网站：

商斯达中国传感器科技信息网：<http://www.sensor-ic.com/>

商斯达工控安防网：<http://www.pc-ps.net/>

商斯达电子元器件网：<http://www.sunstare.com/>

商斯达微波光电产品网：[HTTP://www.rfoe.net/](http://www.rfoe.net/)

商斯达消费电子产品网：<http://www.icasic.com/>

商斯达实业科技产品网：<http://www.sunstars.cn/>

传感器销售热线：

地址：深圳市福田区福华路福庆街鸿图大厦 1602 室

电话：0755-83370250 83376489 83376549 83607652 83370251 82500323

传真：0755-83376182 (0) 13902971329 MSN: SUNS8888@hotmail.com

邮编：518033 E-mail:szss20@163.com QQ: 195847376

深圳赛格展销部：深圳华强北路赛格电子市场 2583 号 电话：0755-83665529 25059422

技术支持：0755-83394033 13501568376

欢迎索取免费详细资料、设计指南和光盘；产品凡多，未能尽录，欢迎来电查询。

北京分公司：北京海淀区知春路 132 号中发电子大厦 3097 号

TEL: 010-81159046 82615020 13501189838 FAX: 010-62543996

上海分公司：上海市北京东路 668 号上海赛格电子市场 2B35 号

TEL: 021-28311762 56703037 13701955389 FAX: 021-56703037

西安分公司：西安高新开发区 20 所(中国电子科技集团导航技术研究所)

西安劳动南路 88 号电子商城二楼 D23 号

TEL: 029-81022619 13072977981 FAX:029-88789382